

MADE TO MEASURE ROLLER SHUTTERS

42MM SINGLE LINE ROLLER SHUTTER

(Residential/Light Commercial)



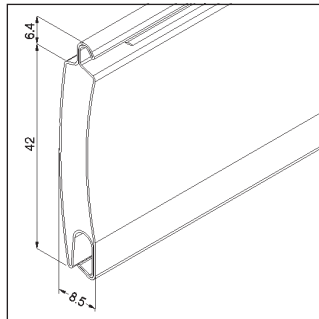
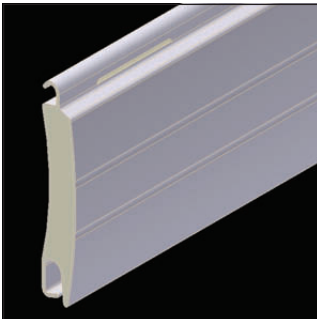
This roller shutter range is made with a precision roll formed roller shutter profile.

SUITABLE APPLICATIONS

- Domestic Windows.
- Domestic Doorways.
- Light Commercial Shop Fronts & Windows.
- Counter Tops/Serveries.

FEATURES

- High quality aluminium alloy construction.
- Foam filled profile for additional strength and silent operation.
- High quality painted finish.
- Smooth and curved face profile.
- Roll-tight design.
- Wide range of colours.
- Double coated + lacquer for abrasion resistant finish.
- Machine inserted profile end clips providing extra shutter strength.
- High quality internal sealed bearings.
- Suitable for widths up to 3200mm.
- Can be manually operated or motorised.
- Made in Australia.



TECHNICAL SPECIFICATIONS

| | |
|-----------------------------------|---|
| Maximum Shutter Width | 3200mm |
| Maximum Shutter Height | 2600mm |
| Maximum Surface Area | 7m ² |
| Curtain Weight/Metre ² | 3.2kg |
| Number Of Slats/Metre | 24 |
| Profile Slat Covering | 42mm |
| Profile Slat Thickness | 8.5mm |
| Axle Types | Octagonal Aluminium or Steel |
| Bottom Bar Dimensions | 55mm x 8.5mm |
| Guide Dimensions | 53mm x 22mm <small>(68mm x 22mm/15mm Guide Upgrade available at additional cost)</small> |
| Paint Finish | Polyurethane/Polyamide (PU/PA) |
| Inner Profile Foam Type | Poly Urethane (CFC Free) |

General Note: All dimensions and colours are indicative only and may change without notice. Profile technical specifications and shutter performance may vary in certain applications, eg. wide applications with no solid structure behind the roller shutter. For more information please contact your CW Products representative.



MADE TO MEASURE ROLLER SHUTTERS

PELMET SIZES & MAXIMUM SHUTTER HEIGHT

| Pelmet Box Size | Max. No. Of Slats | Max. Shutter Height (Including Pelmet) | Axle Size |
|-----------------|-------------------|--|-----------|
| 150mm | 31 | 1300mm | 60mm |
| 165mm | 41 | 1700mm | 60mm |
| 180mm | 52 | 2200mm | 60mm |
| 205mm | 67 | 2850mm* | 60mm |
| 230mm | 93 | 3900mm* | 60mm |

* Measurement exceeds recommended maximum shutter height. May be allowed if other technical specifications are met. Check with your local CW Products representative.

WIND SPEEDS & MAXIMUM SHUTTER WIDTH

| Wind Speed m/sec | Wind Speed km/h | Max. Shutter Width | Max. Surface Area |
|------------------|-----------------|--------------------|--------------------|
| 11.2m/sec | 40.32km/h | 3200mm | 9.7m ² |
| 13m/sec | 46.80km/h | 3010mm | 9.03m ² |
| 15.8m/sec | 56.88km/h | 2550mm | 7.65m ² |
| 20.4m/sec | 73.44km/h | 2180mm | 6.54m ² |
| 25.9m/sec | 93.24km/h | 1990mm | 5.82m ² |
| 34.9m/sec | 125.64km/h | 1940mm | 5.37m ² |

ROLLER SHUTTER COLOUR OPTIONS

| Profiles | Pelmets/Side Frames/Guides/Bottom Bars |
|-------------------|--|
| Cream | Cream |
| Magnolia Cream | Magnolia Cream |
| Clear Beige | Clear Beige |
| White | White |
| Shale Grey | Shale Grey |
| Brown | Brown |
| Beige | Black |
| Green | Monument |
| Red | Woodland Grey |
| Bronze <i>TBD</i> | |
| Black | |
| Monument | |
| Silver | |
| Deep Ocean | |
| Woodland Grey | |
| Jasper | |

Powder coated options available (additional charges apply)

TBD - Product to be discontinued in the future or when stock is depleted.

CONTROL OPTIONS

Manual Options



Strap Winder (Up To 20Kg)



Cord Winder (Up To 20Kg)



Steel Cable Winder (Up To 50Kg)



Strap Coiler (Up To 20Kg)



Cord Coiler (Up To 20Kg)



Spring Loaded With Key Lock

Motorised Options



Remote Control With SolarSmart™ Plus Automation 12V Motor



PowerSmart™ Control System With 12V Motor



Wall Switch With 240V Electric Motor



Remote Control With 240V Electric SIMU Hz Motor



Key Switch With 240V Electric Motor



Crank Handle With 240V Electric Manual Override Motor

To order please complete a [CW Products Made To Measure Roller Shutter Order Form](#).